

Section of CCTV Mounting Pole

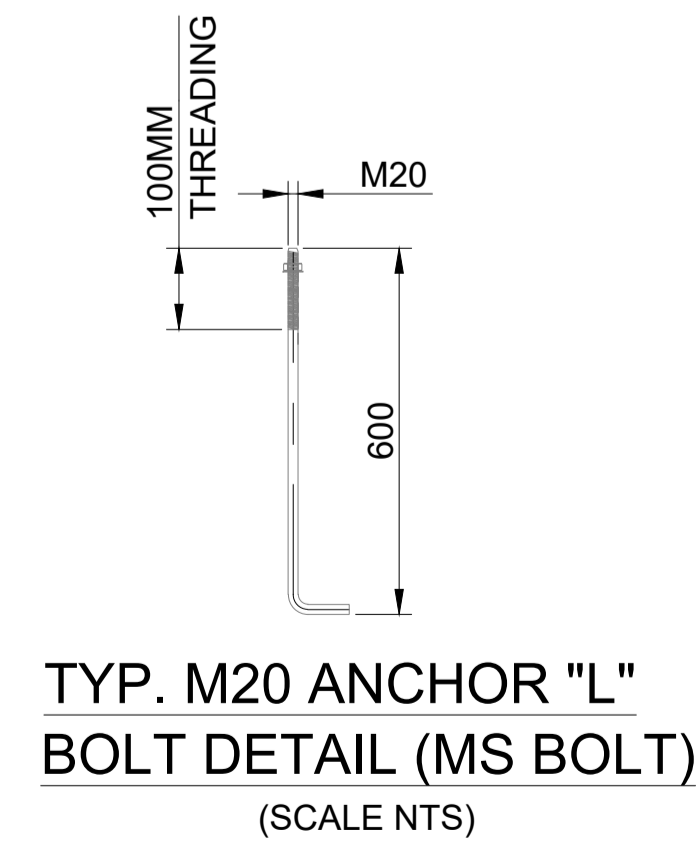
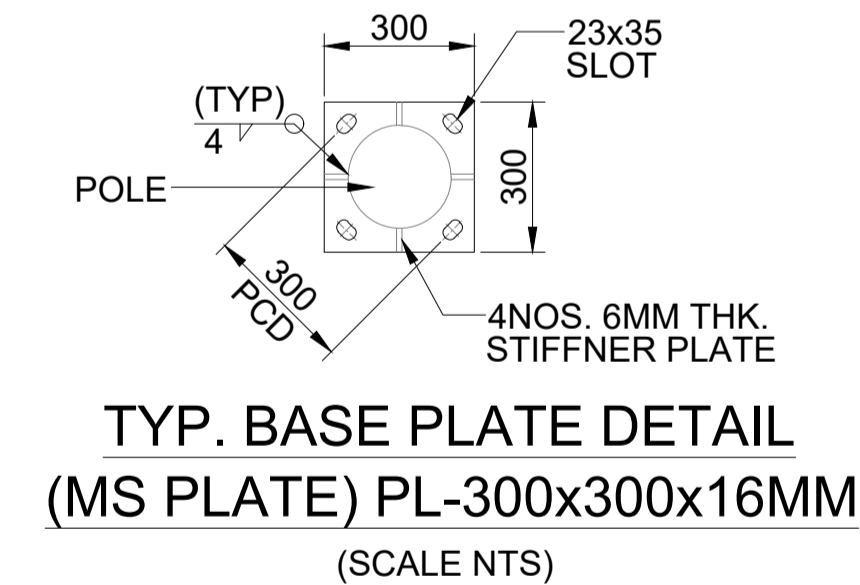
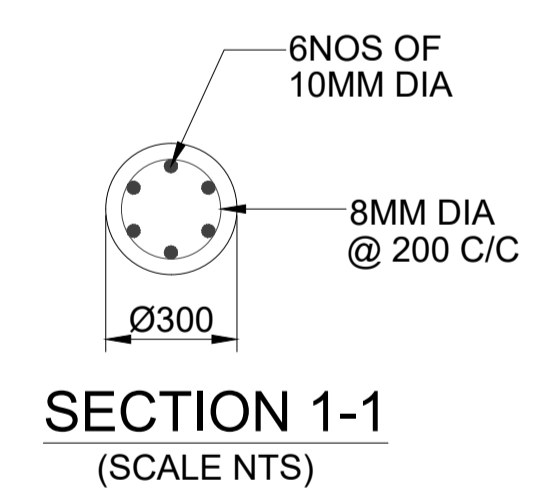
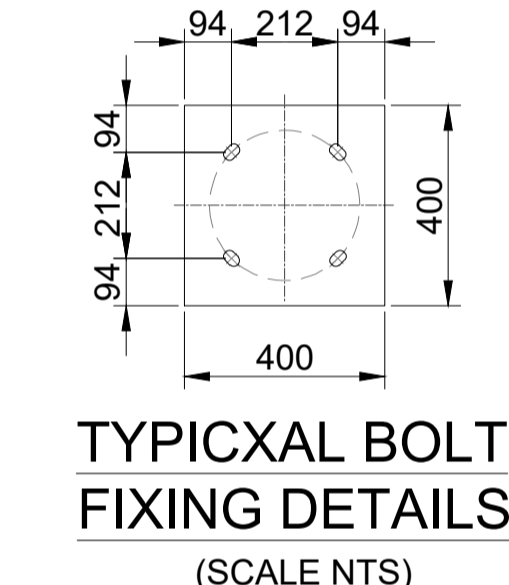
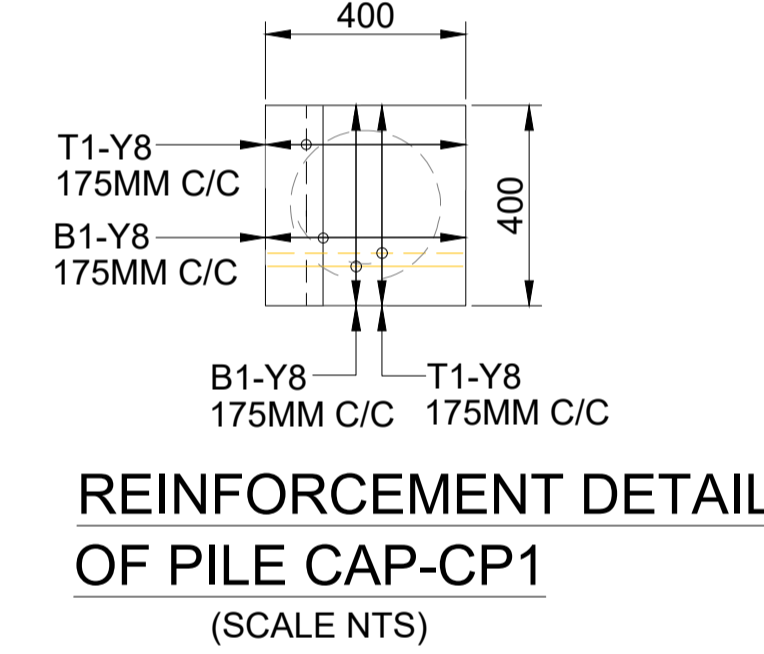
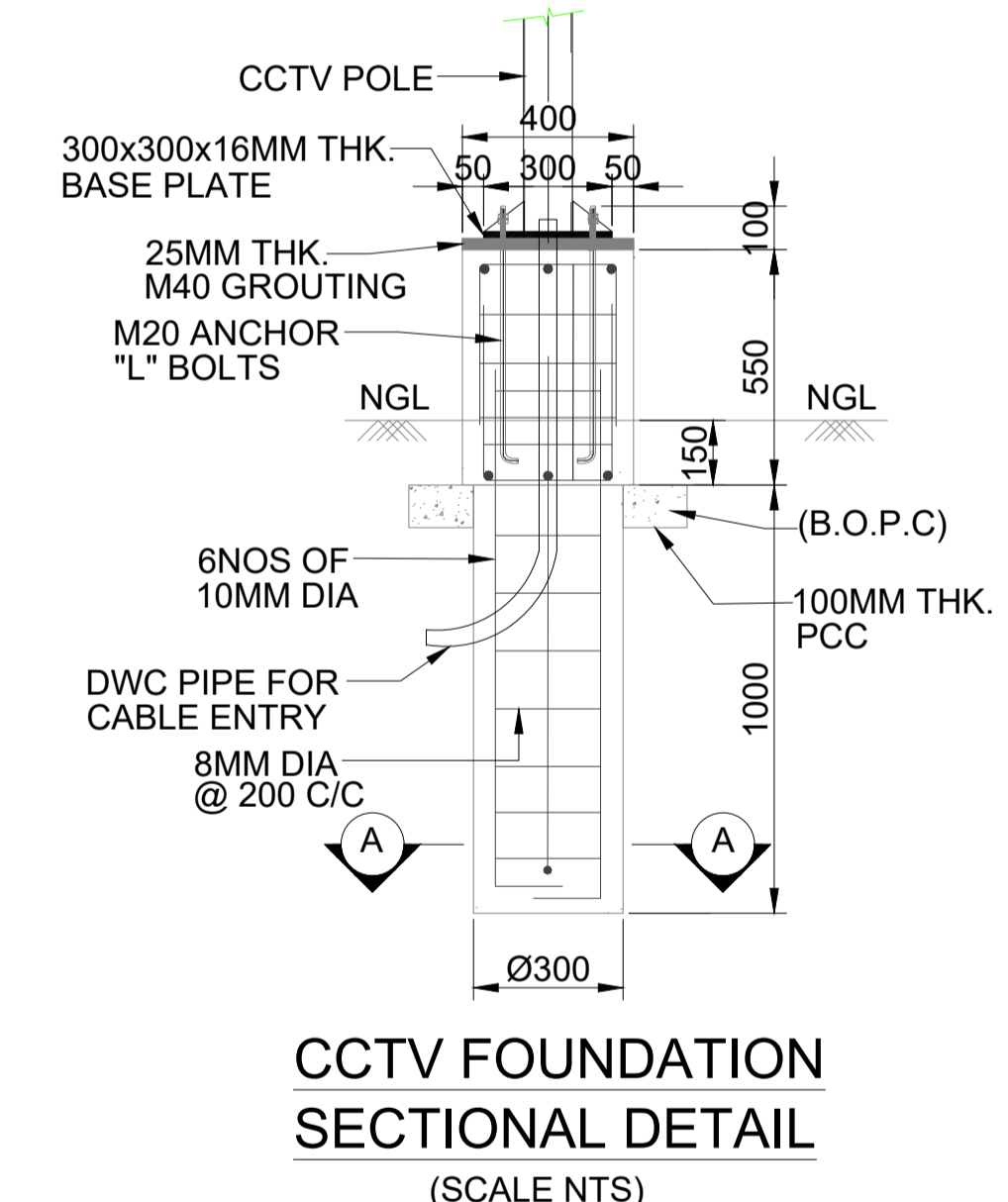
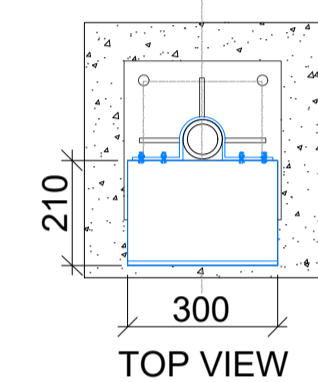
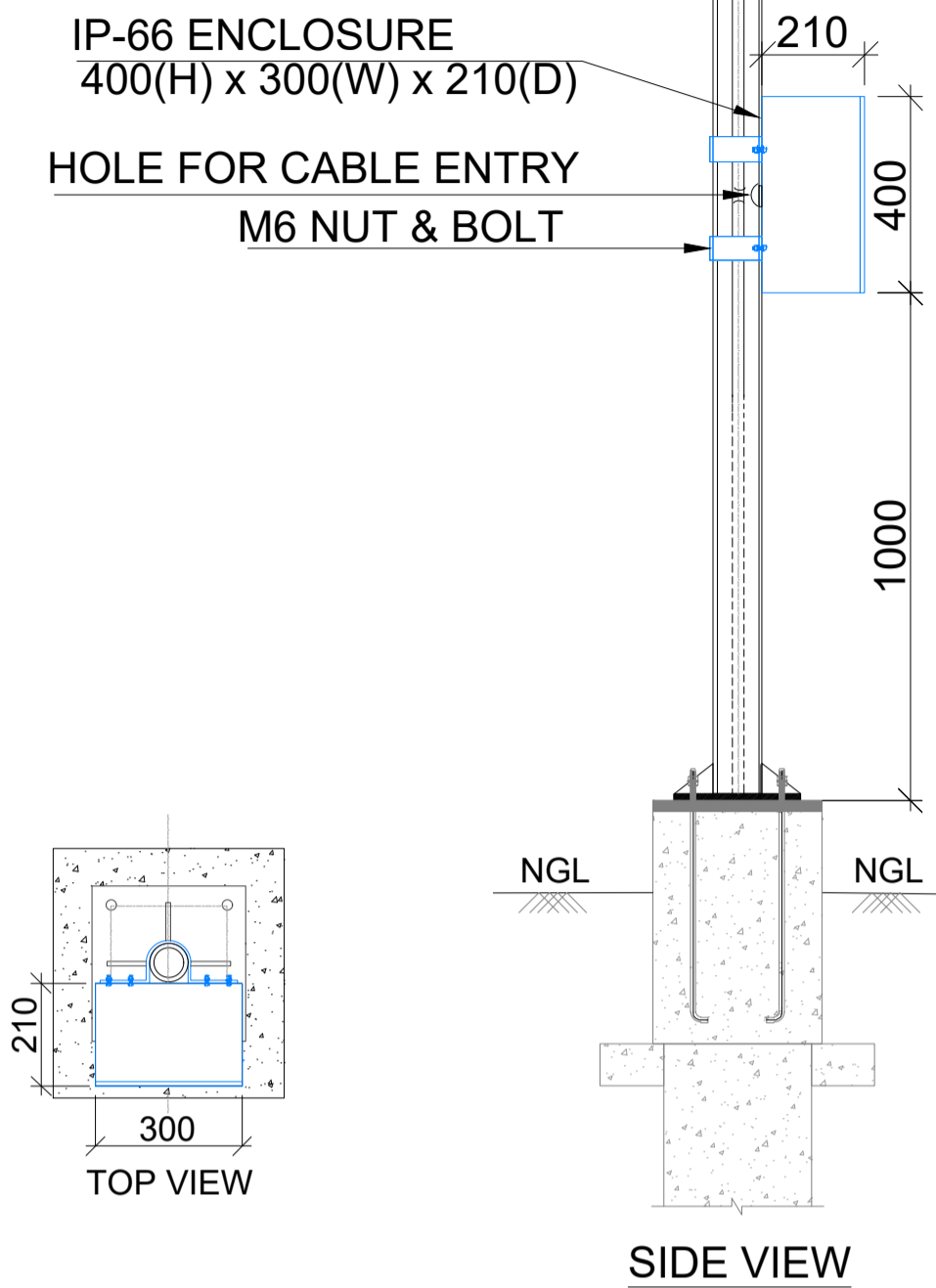
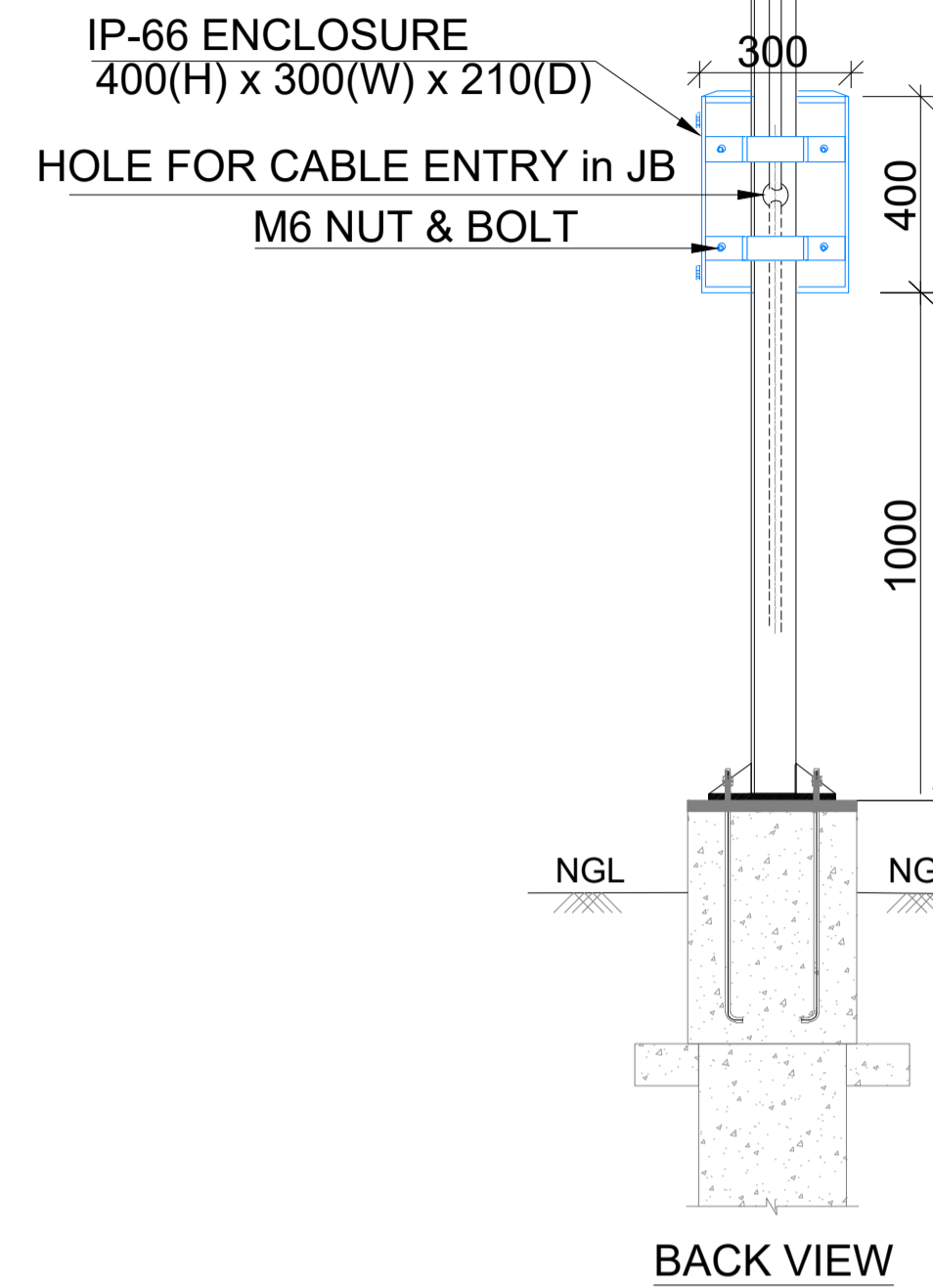
LA arrangements on CCTV Pole
POLE MOUNT CAMERA

6000

6 MTR POLE

NGL NGL

1000



NOTE:-

- ALL DIMENSIONS ARE IN MM UNLESS OTHERWISE SPECIFIED.
- POLE SHALL BE HOT DIP GALVANIZED INSIDE AND OUTSIDE.
- JUNCTION BOX SHALL HAVE ONE NUMBER FOUR POLE ISOLATOR OF SUITABLE RATING FOR LOOPING, ONE NUMBER 6A DOUBLE POLE MCB CLASS C FOR CONNECTION WITH CCTV AND ONE NUMBER STUD TYPE TERMINAL BLOCK FOR EARTHING. MOUNTING SHALL BE DONE ON DIN RAIL.
- STEEL PIPES AS PER IS: 1161 & GS PLATES AS PER IS 2062.
- PU PAINT IN APPROVED SHADE SHALL BE PROVIDED ON OUTSIDE OF POLE.
- ALL NUTS AND BOLTS SHALL BE OF SS-316.
- EARTHING LEAD WIRE OF CCTV SHALL BE CONNECTED TO EARTHING STUD WHICH IN TURN SHALL BE CONNECTED TO THE POLE.
- EARTHING ROD SHALL BE SOLID, GI MATERIAL.
- EARTHING STRIP SHALL BE OF GI MATERIAL.
- THICKNESS OF GALVANIZING SHALL BE 110mm.
- ALL TYPE OF CCTV TO BE INSTALLED AT 6M ELEVATION AND VENDOR RESPONSIBLE FOR SUPPLY, INSTALLATION, TESTING AND COMMISSIONING.
- BIDDER SHALL PROVIDE CCTV MOUNTING POLE ARRANGEMENT WITH PROPER LIGHTNING ARRESTER AND EARTHING TO POLE.
- MENTION DRAWINGS ARE FOR TENDER PURPOSE. IT MAY CHANGE DURING DETAIL ENGINEERING.

TENDER PURPOSE ONLY

01	24.04.2026	ISSUED FOR REVIEW	DJ	DK	SK
00	10.02.2026	ISSUED FOR REVIEW	VU	DK	SK
REV.	DATE	DESCRIPTION	DRN.	STR.	MECH. ELEC. INST.
			APPROVED BY		
FICTNER Consulting Engineers (India) Private Limited Chennai, Bangalore			GUJARAT INDUSTRIES POWER CO. LTD 2375 MW CAPACITY SOLAR/WIND/HYBRID RENEWABLE ENERGY PARK AT GREAT RANN OF KUTCH AREA, GUJARAT		
DRAWN	VU	10.02.2026	TITILE		
DESIGNED	DK	10.02.2026	TYPICAL		
CHECKED	SKP	10.02.2026	DETAILS - CCTV MOUNTING POLE		
DEPT. HEAD	SK	10.02.2026			
PROJ. MGR.	RP	10.02.2026			
RELEASED FOR CONSTRUCTION			DEPT.	CIVIL	JOB NO. 1721125
					SCALE: 1:1
					REV.
					DWG. NO. FCE-1721125-RE-DWG-LAY-4100-003
					01